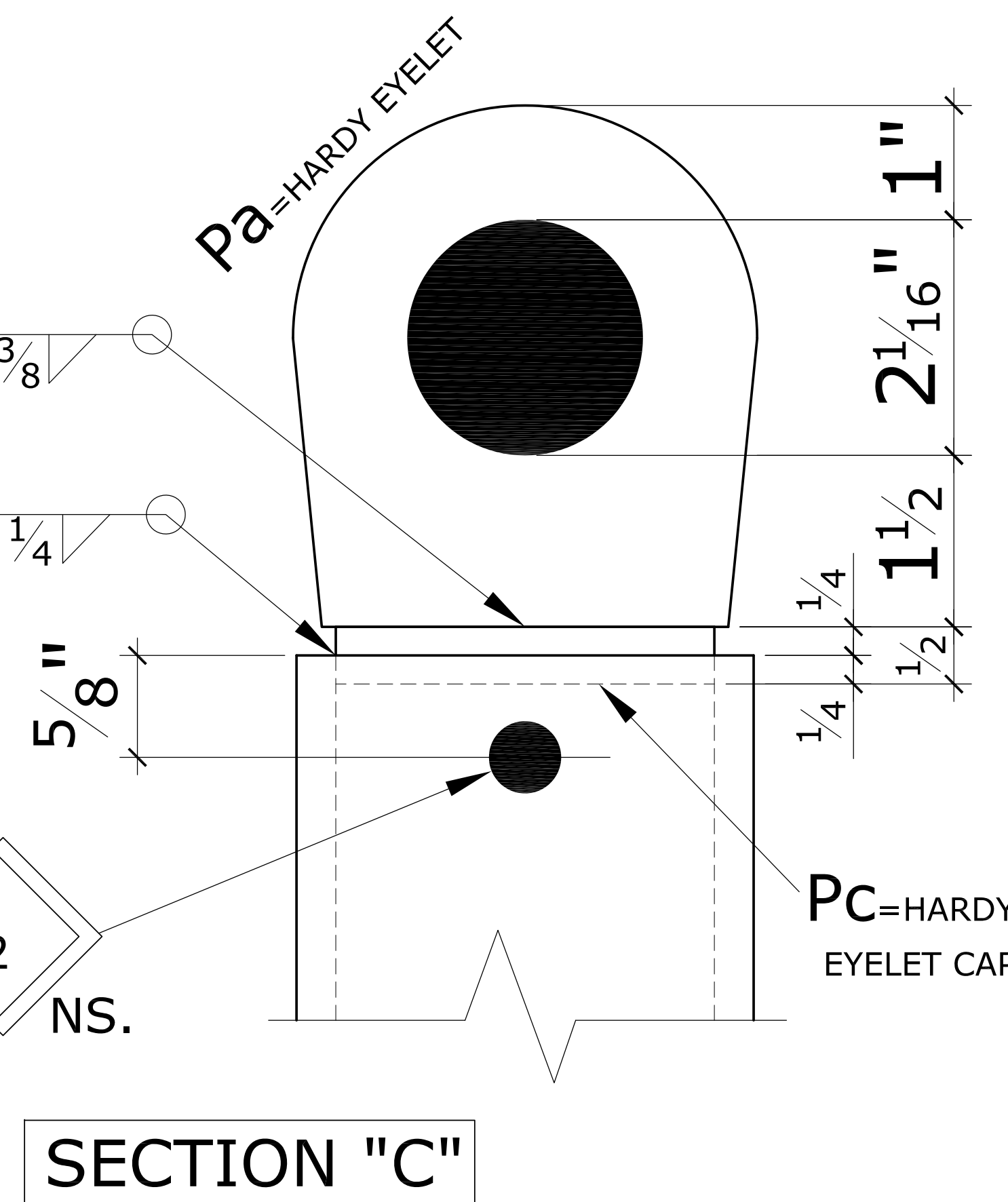
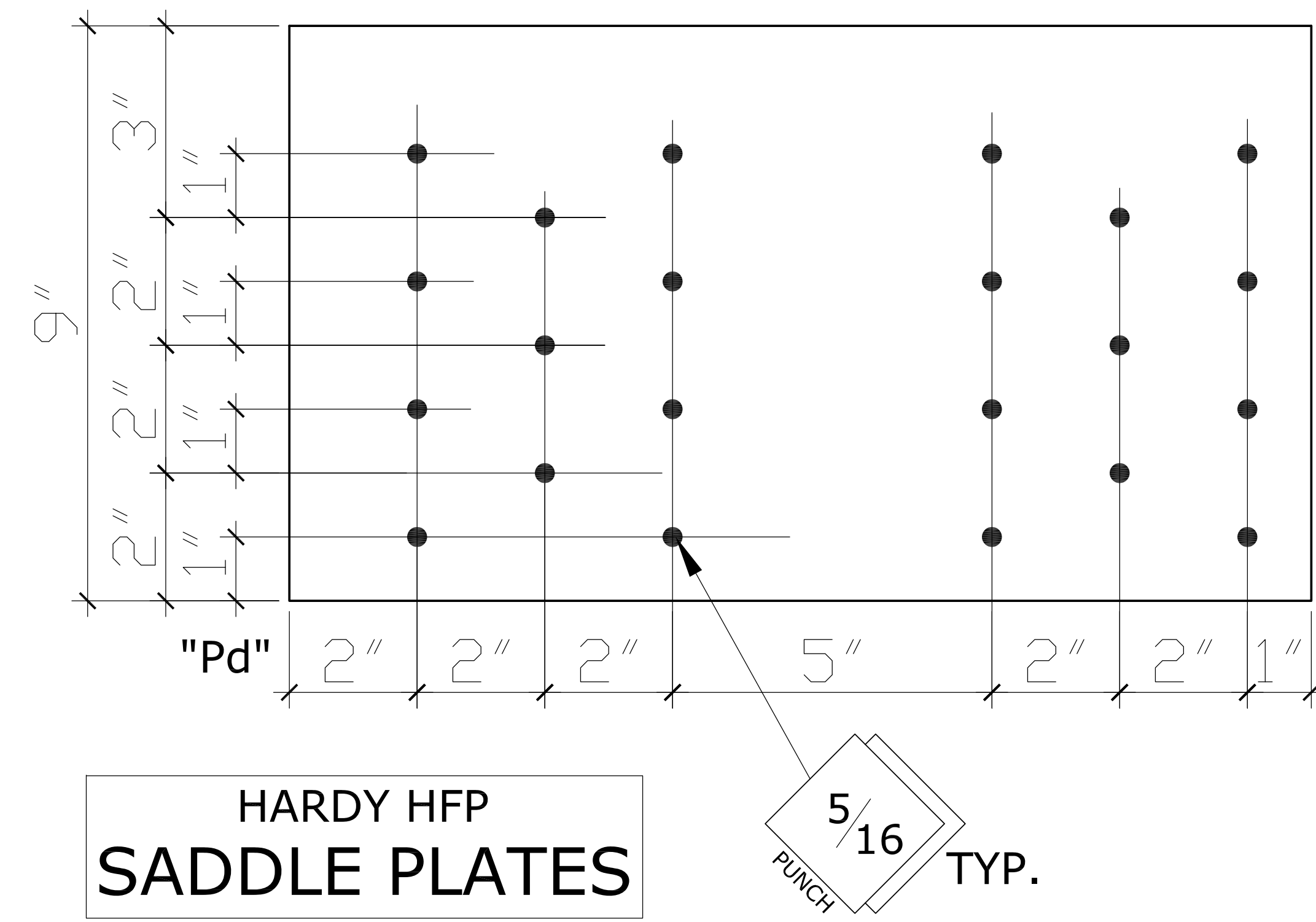


**HFP DEVICE**

**SECTION "A"**



**SECTION "C"**



**HARDY HFP SADDLE PLATES**

BILL OF MATERIAL						
NO. OF PIECES	SHIP MARK	PIECE MARK	DESCRIPTION	LENGTH		REMARKS
				FEET	INC	
			HFP-12	2	0 1/16	
1	MA		3 1/2 Ø XS PIPE	0	11 3/4	
1		Pa	1x4 1/16x4 9/16			EYELET
1		Pb	1/2 x 3 5/16 Ø			CAP
1		Pc	1/2 x 6 1/2	1	4	BASE PLATE
2		Pd	1/4 x 9	1	4	STAGGER Ø
			HFP-18	2	8 1/16	
1	MA		3 1/2 Ø XS PIPE	1	5 3/4	
1		Pa	1x4 1/16x4 9/16			EYELET
1		Pb	1/2 x 3 5/16 Ø			CAP
1		Pc	1/2 x 6 1/2	1	4	BASE PLATE
2		Pd	1/4 x 9	1	4	STAGGER Ø
			HFP-24	3	2 1/16	
1	MA		3 1/2 Ø XS PIPE	1	11 3/4	
1		Pa	1x4 1/16x4 9/16			EYELET
1		Pb	1/2 x 3 5/16 Ø			CAP
1		Pc	1/2 x 6 1/2	1	4	BASE PLATE
2		Pd	1/4 x 9	1	4	STAGGER Ø

**HARDY "HFP"  
12-18-24 SADDLE**

**L.A.CITY FAB LIC. #975**

PAINT:	HOLES U.N.	WELD U.N.	APPL:	SHOP:
PROJECT:	HARDY HFP SADDLE HFP-12,18,24		DATE:	4-20-20
CUSTOMER:		ENG.	CHK'D BY:	
ARCH:		ENG.	JOB NO:	
DESCRIPTION:			SHT. NO:	