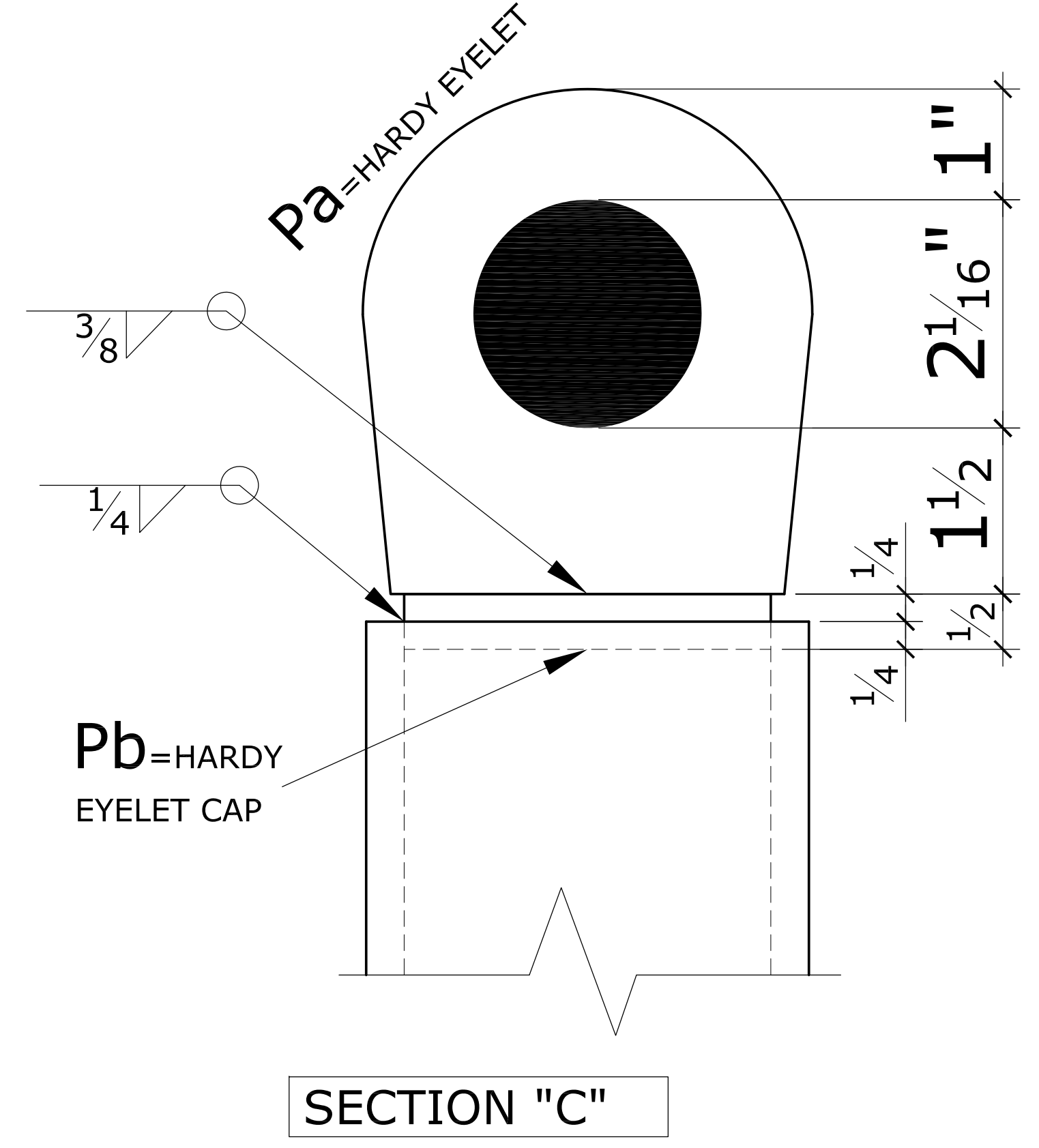
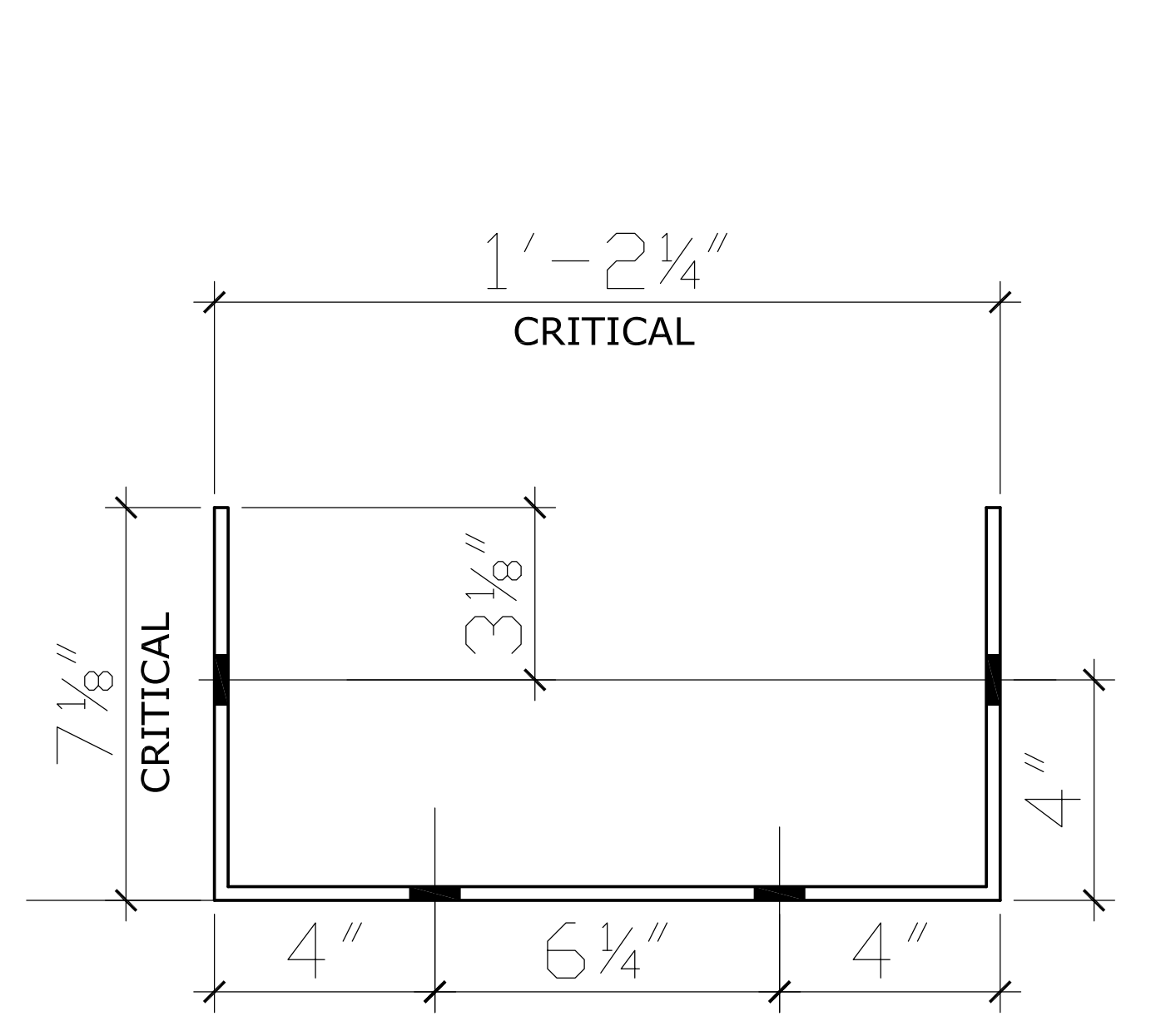
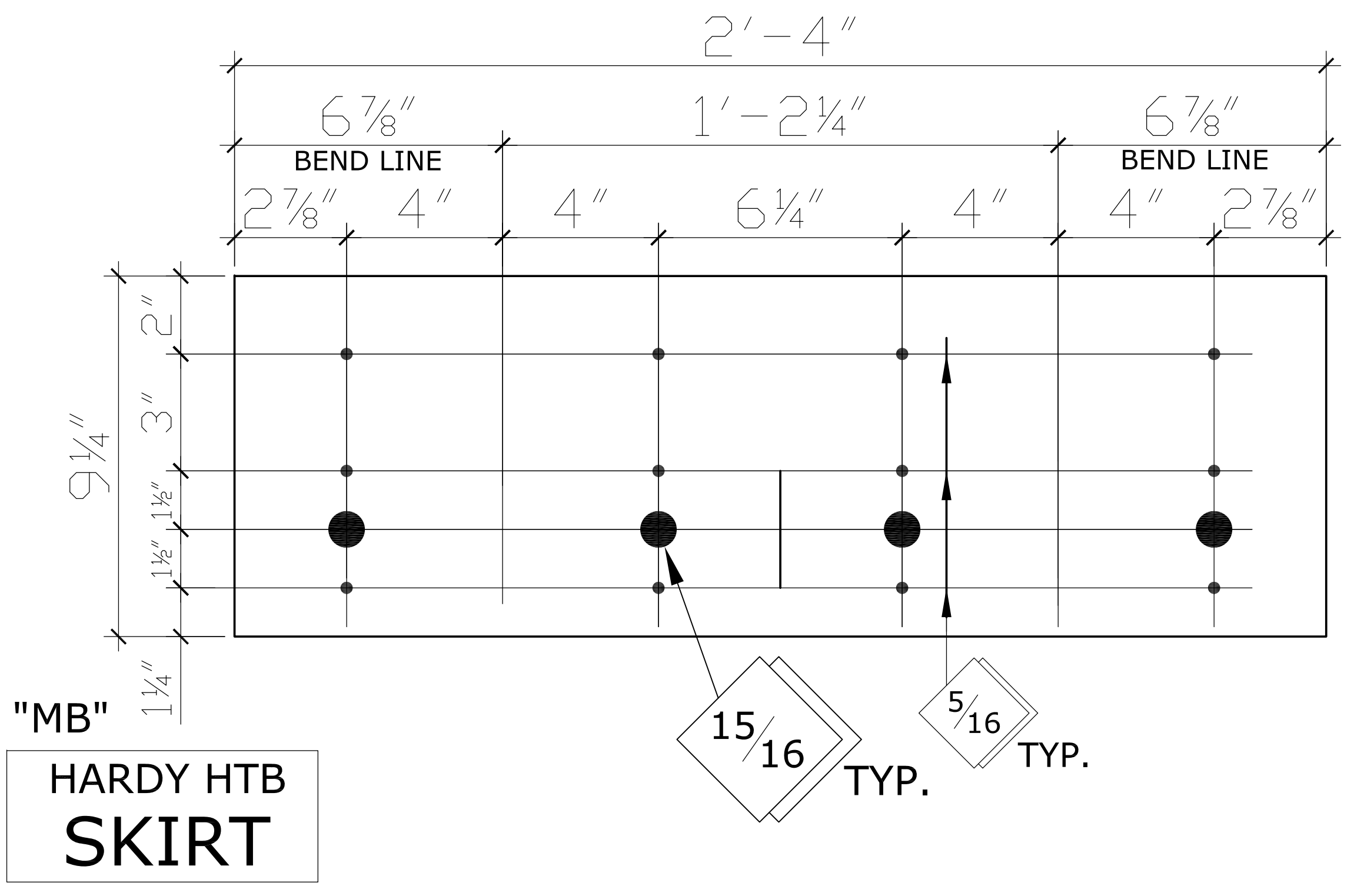


BILL OF MATERIAL						
NO. OF PIECES	SHIP MARK	PIECE MARK	DESCRIPTION	LENGTH		REMARKS
				FEET	ING	
HTB-16						
1		MA	3 1/2 Ø XS PIPE	1	3 3/4	
2		MB	1/4 x 9 1/4	2	4	BENT
1		Pa	1x4 1/16x4 9/16			EYELET
1		Pb	1/2 x 3 5/16 Ø			CAP
1		Pc	1/2 x 18 1/2	1	6 1/2	BASE PLATE

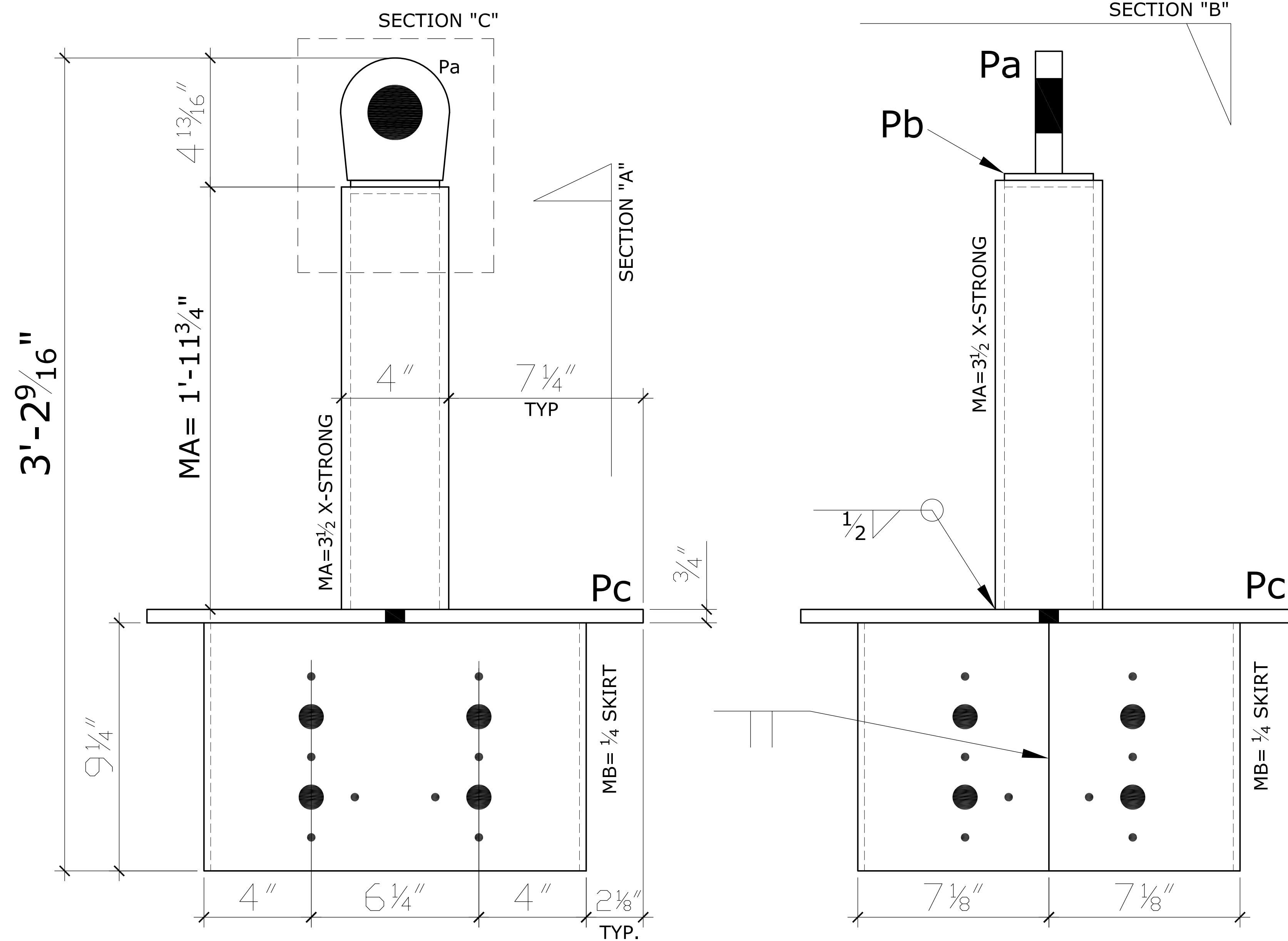
HTB DEVICE



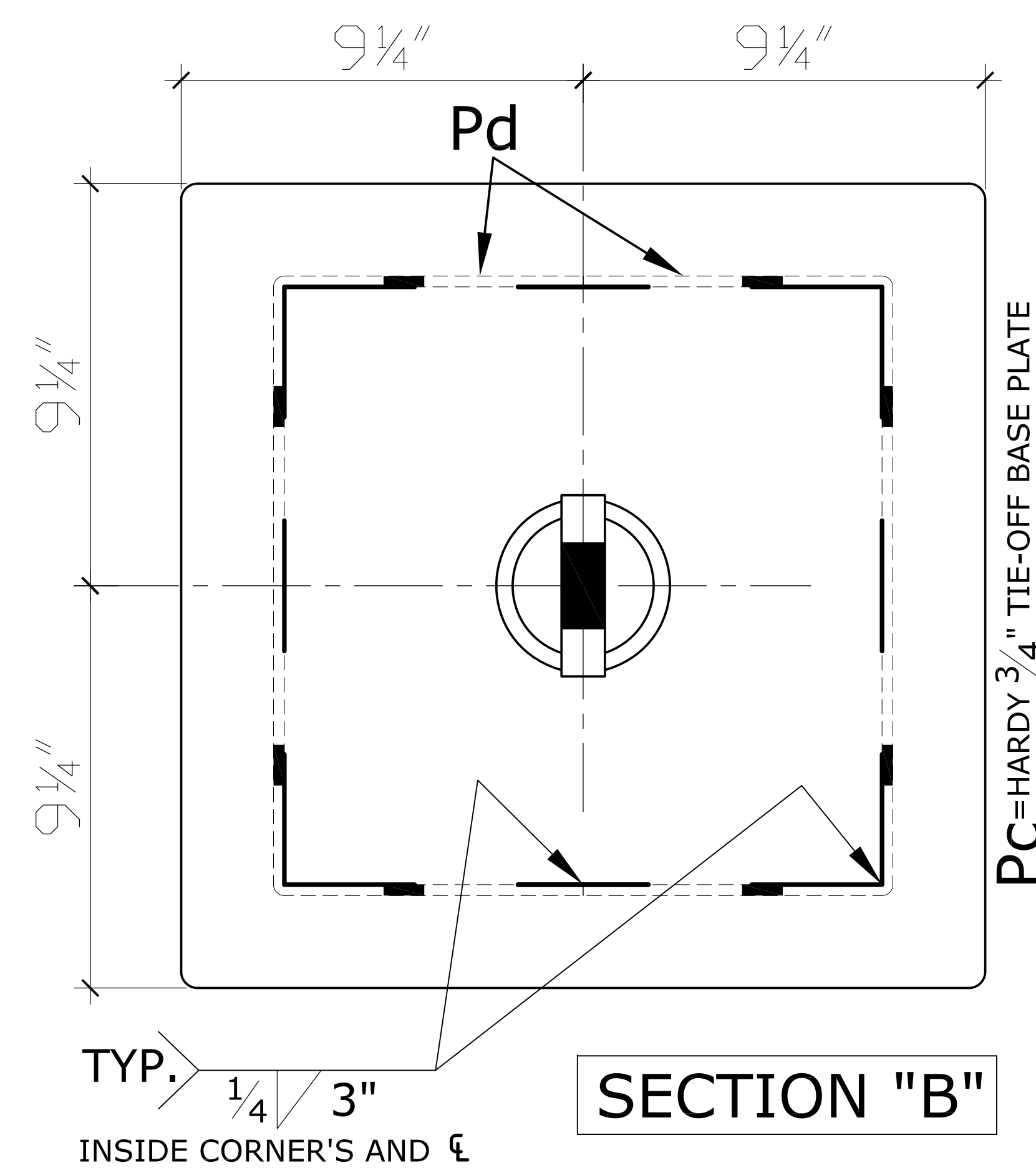
HARDY HTB-16

L.A.CITY FAB LIC. #975

PAINT:	HOLES U.N.	WELD U.N.	APPL:	SHOP:
PROJECT:	HARDY HTB-16			DATE: 5-5-20
CUSTOMER:				DRAWN BY:
ARCH.	ENG.			CHK'D BY:
DESCRIPTION:				JOB NO:
				SHT. NO: 1

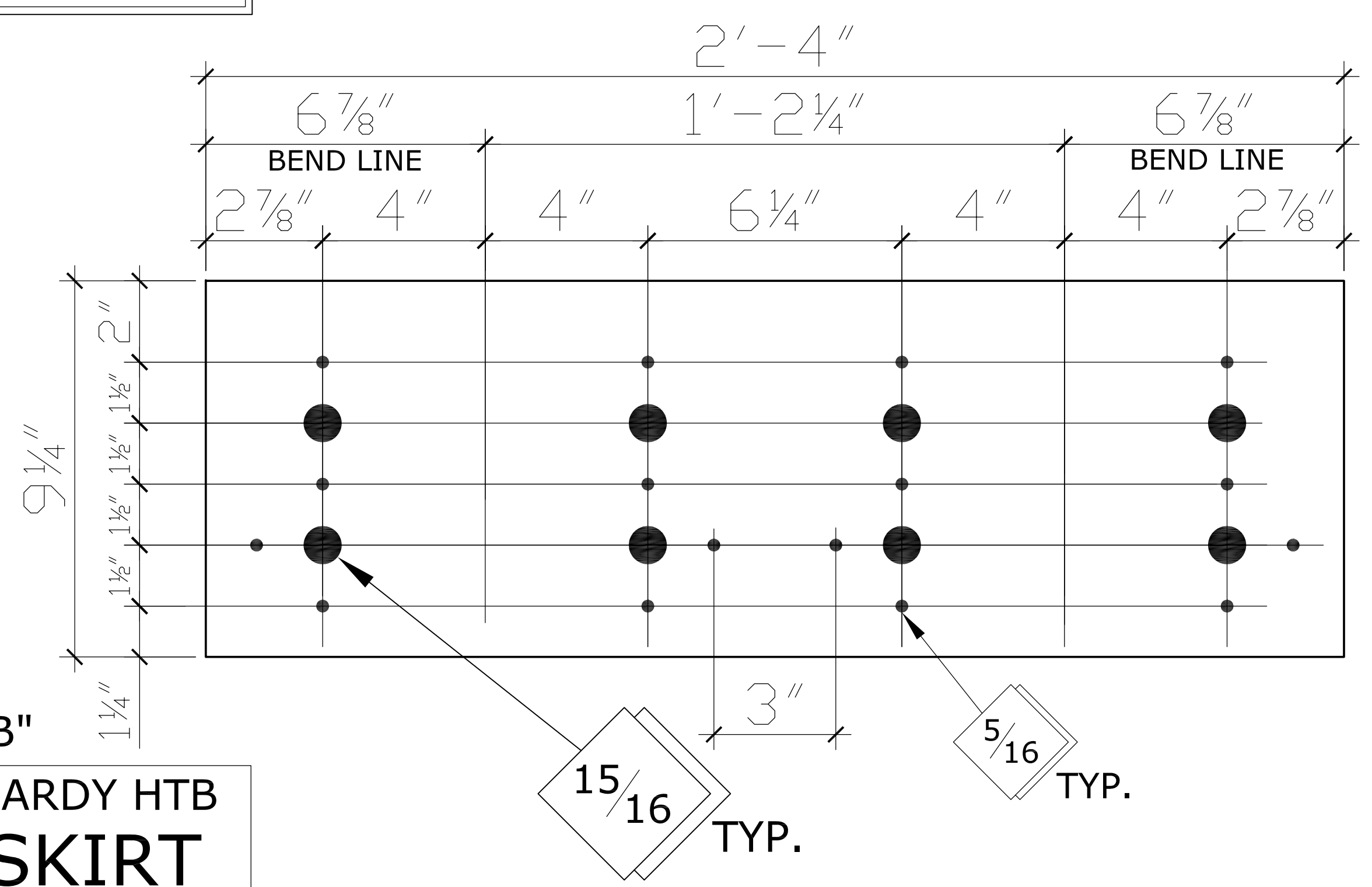


HTB DEVICE

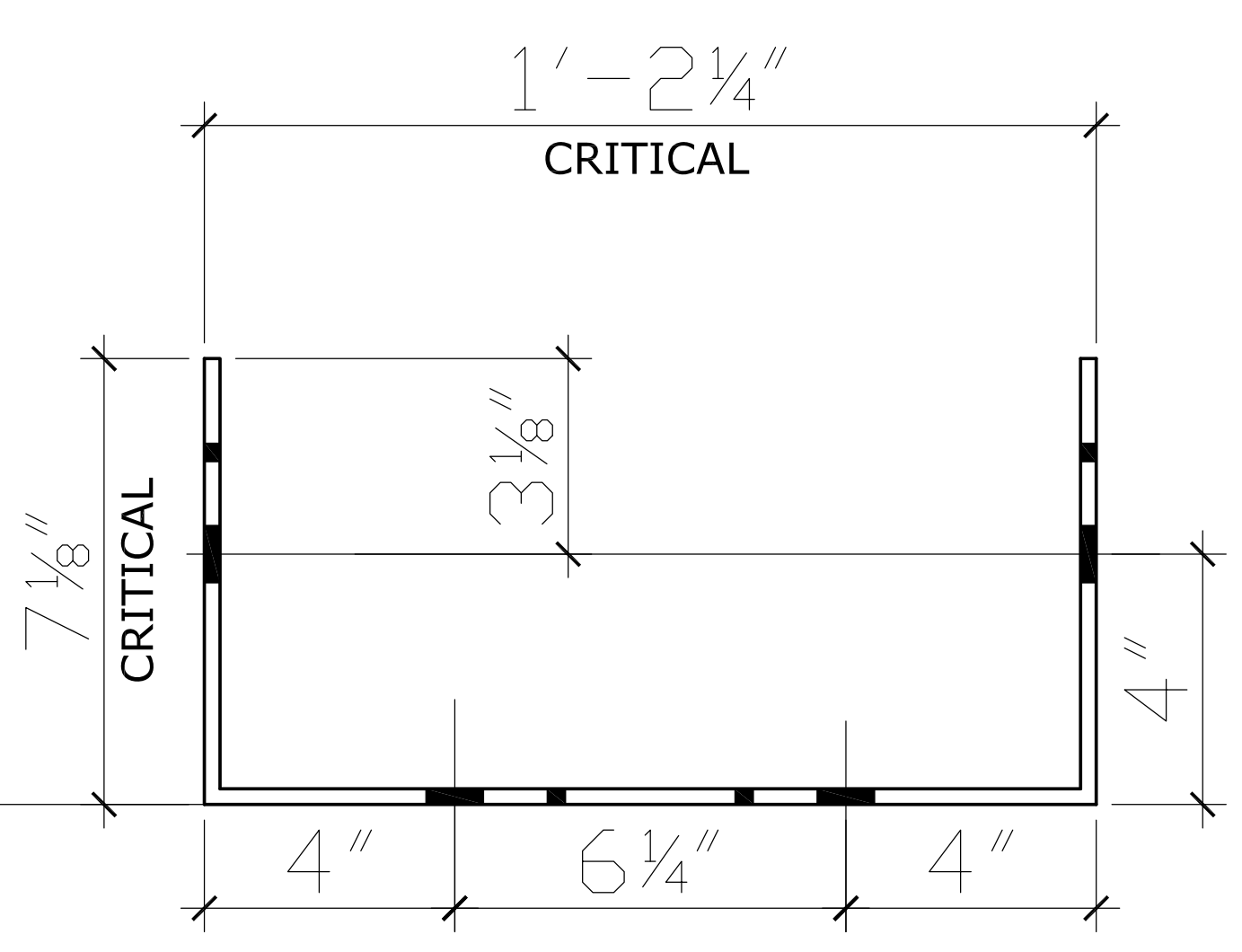


SECTION "B"

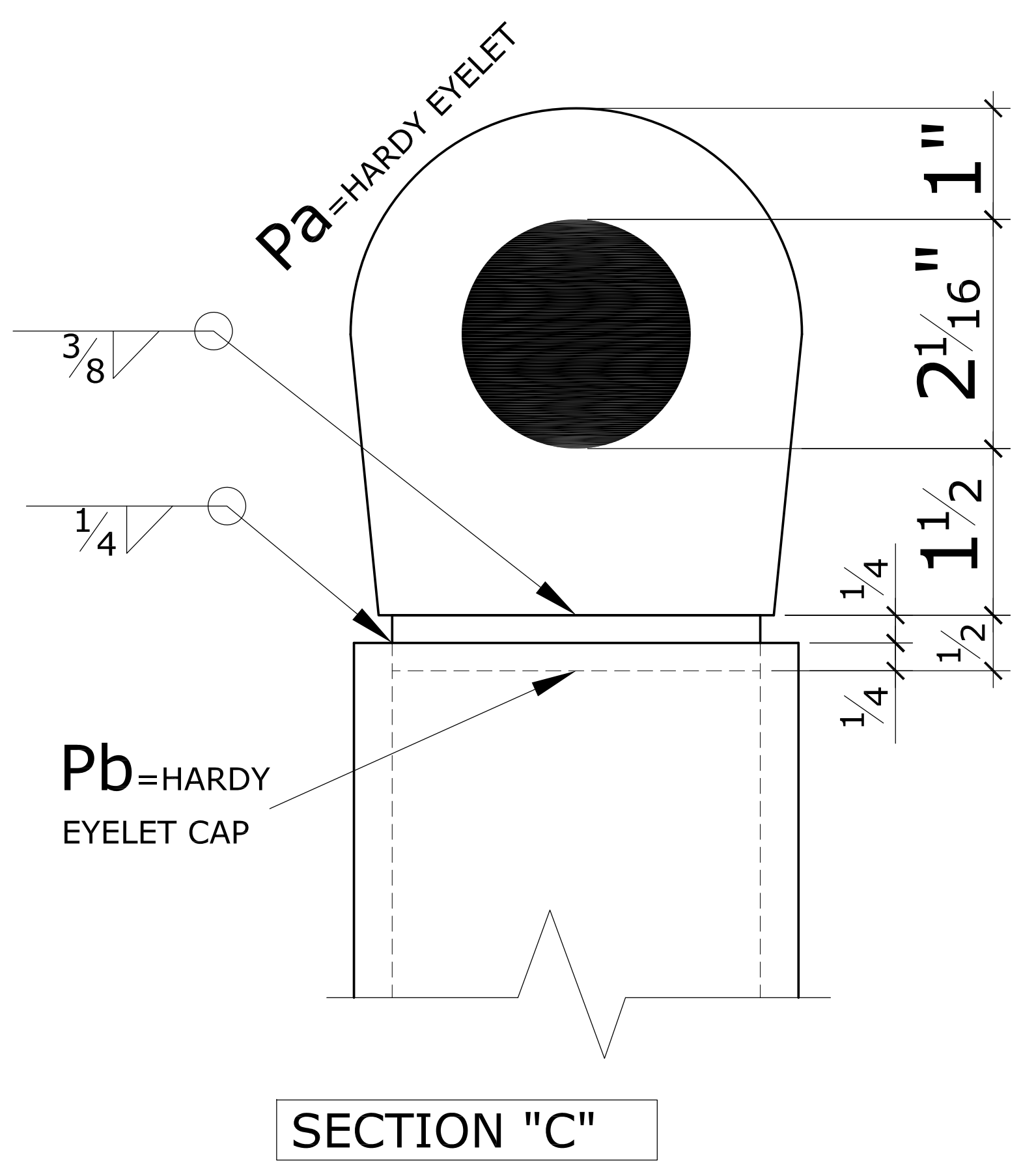
BILL OF MATERIAL						
NO. OF PIECES	SHIP MARK	PIECE MARK	DESCRIPTION	LENGTH		REMARKS
				FEET	INCH	
			HTB-24	3	2 9/16	
1	MA		3 1/2 Ø XS PIPE	1	11 3/4	
1		Pa	1x4 1/16x4 9/16			EYELET
1		Pb	1/2 x3 5/16 Ø			CAP
1		Pc	3/4 x 18 1/2	1	6 1/2	BASE PLATE
2		Pd	1/4 x 9 1/4	2	4	BENT



"MB" HARDY HTB SKIRT



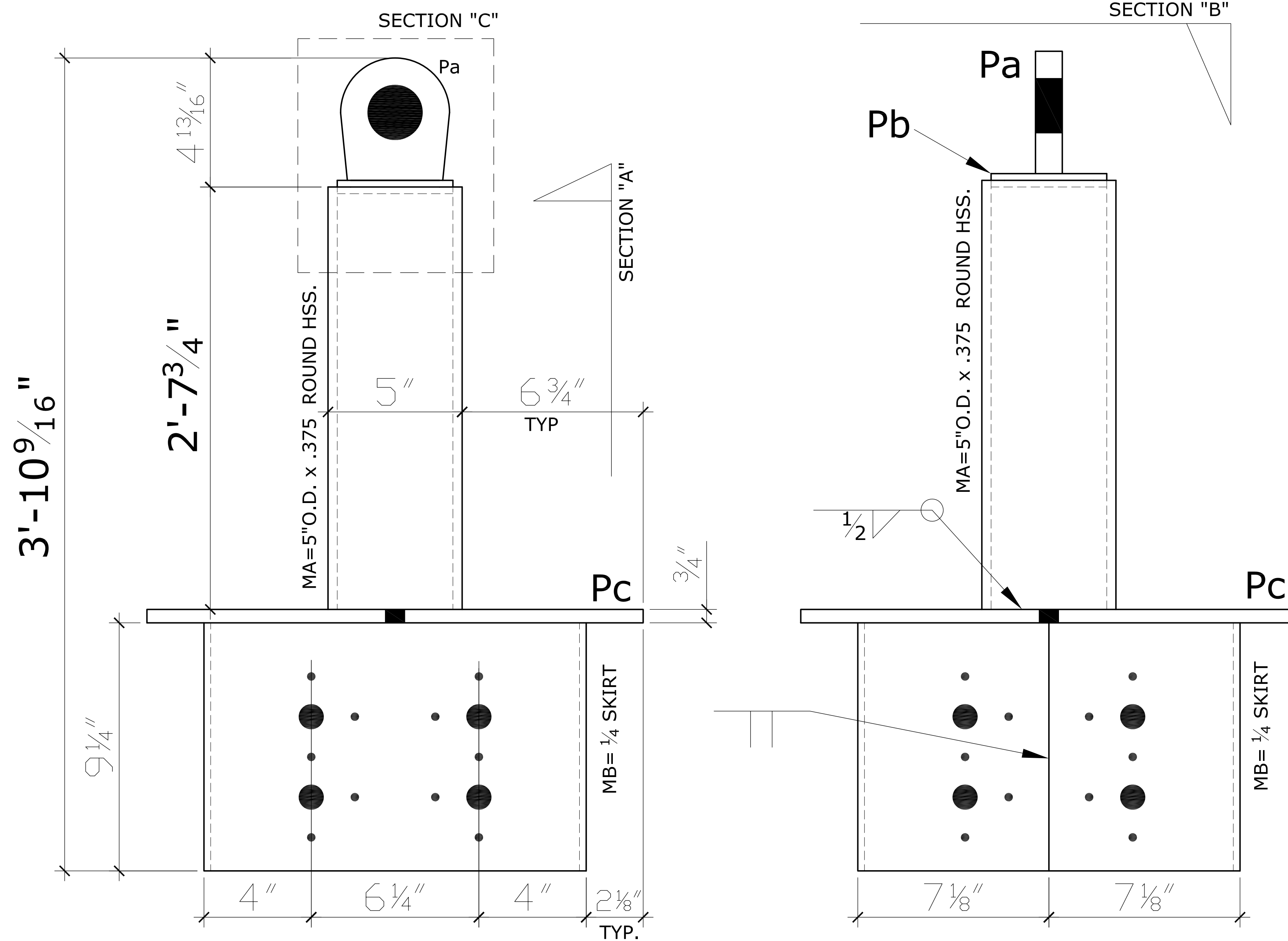
HARDY HTB-24



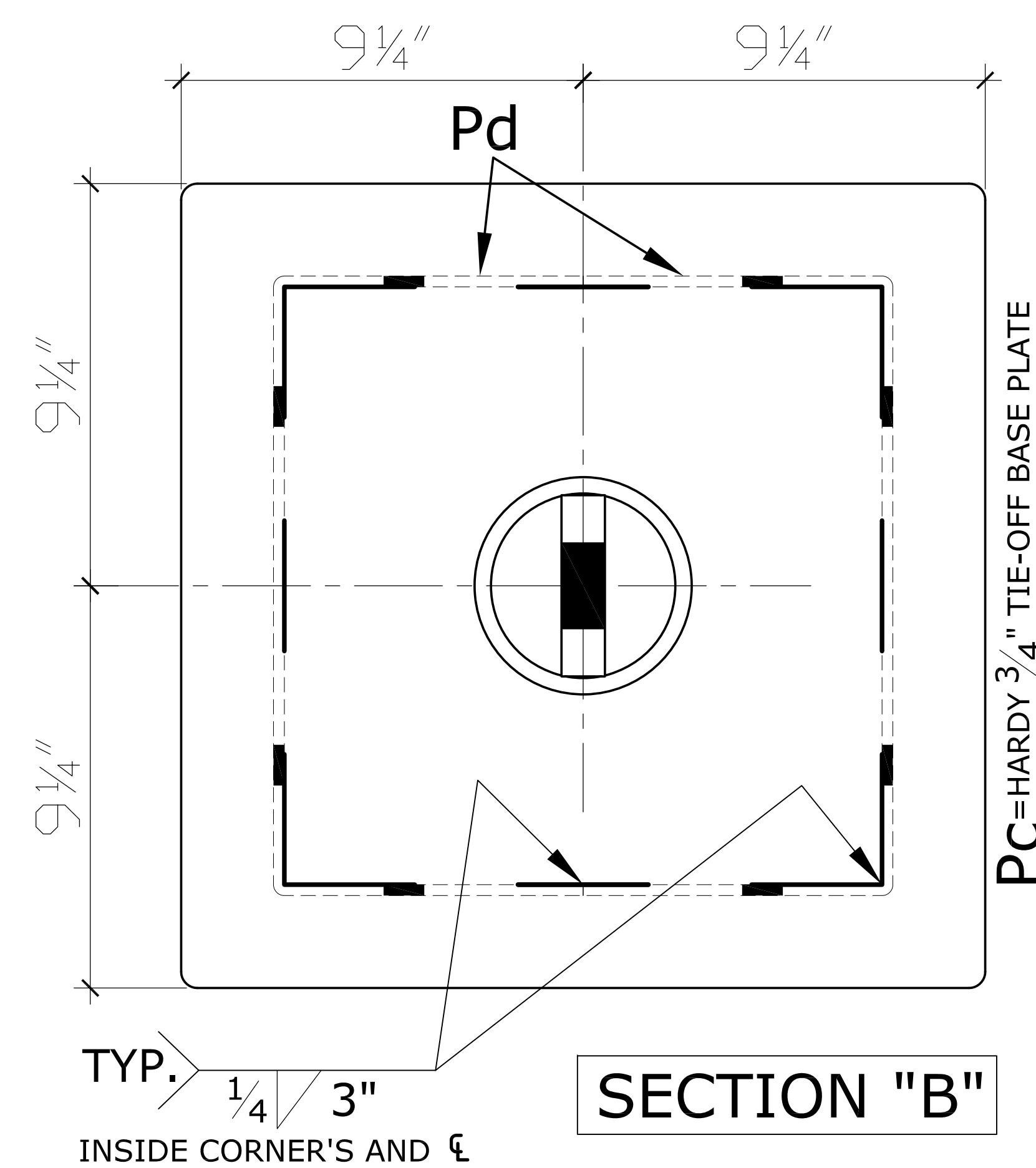
SECTION "C"

L.A.CITY FAB LIC. #975

PAINT:	HOLES U.N.	WELD U.N.	APPL:	SHOP:
PROJECT:	HARDY HTB-24			DATE: 5-5-20
CUSTOMER:				DRAWN BY:
ARCH.	ENG.			CHK'D BY:
DESCRIPTION:				JOB NO:
				SHT. NO: 1

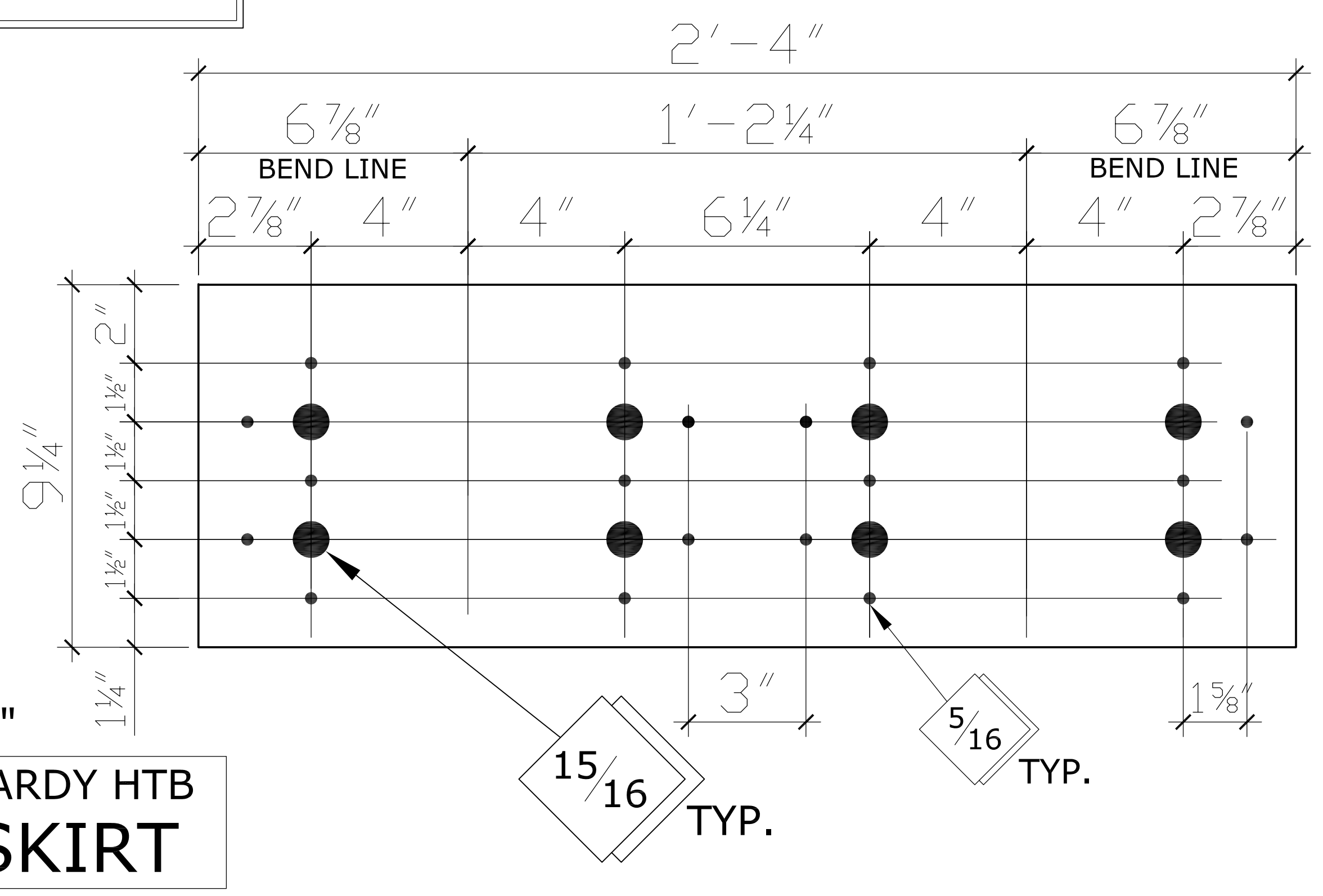


HTB DEVICE

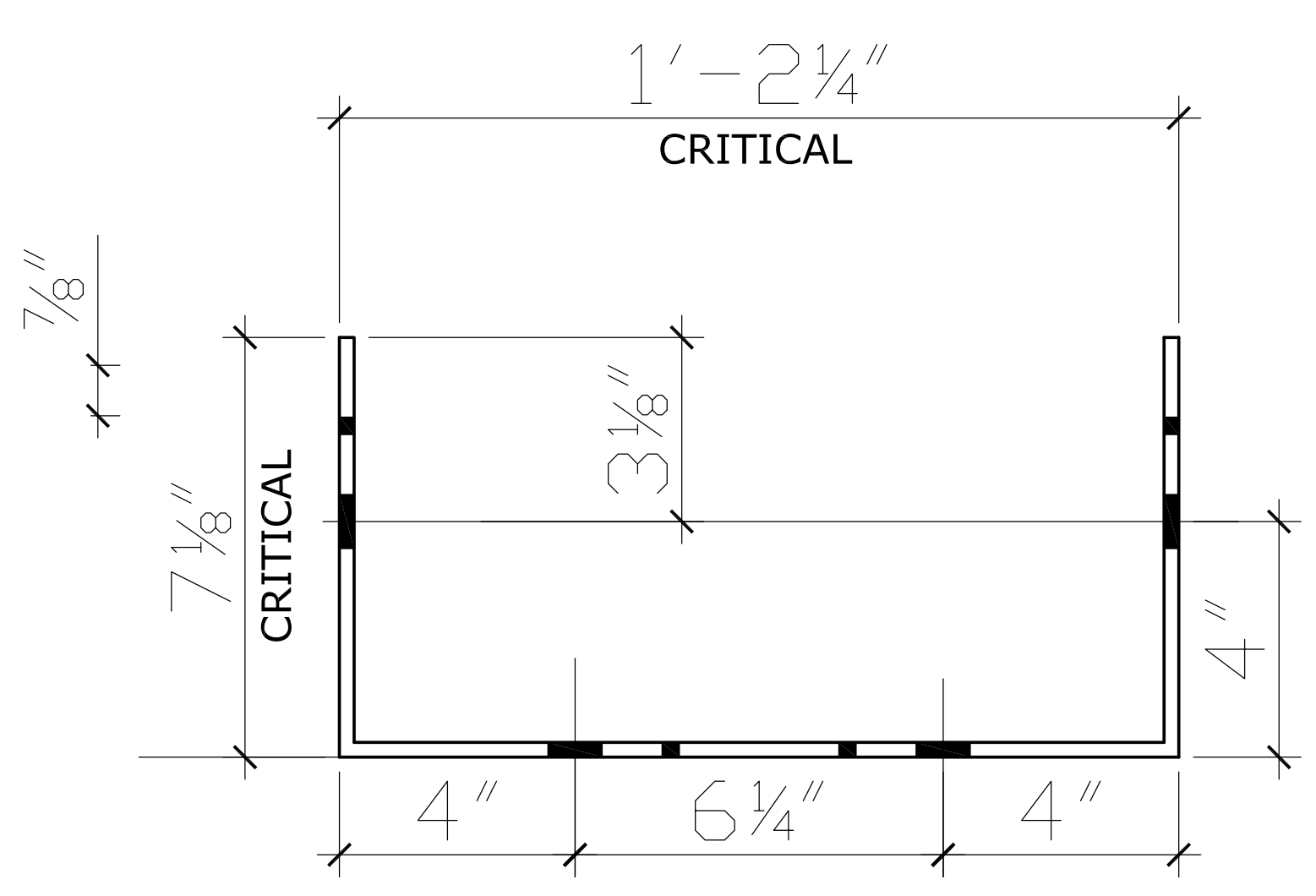


SECTION "B"

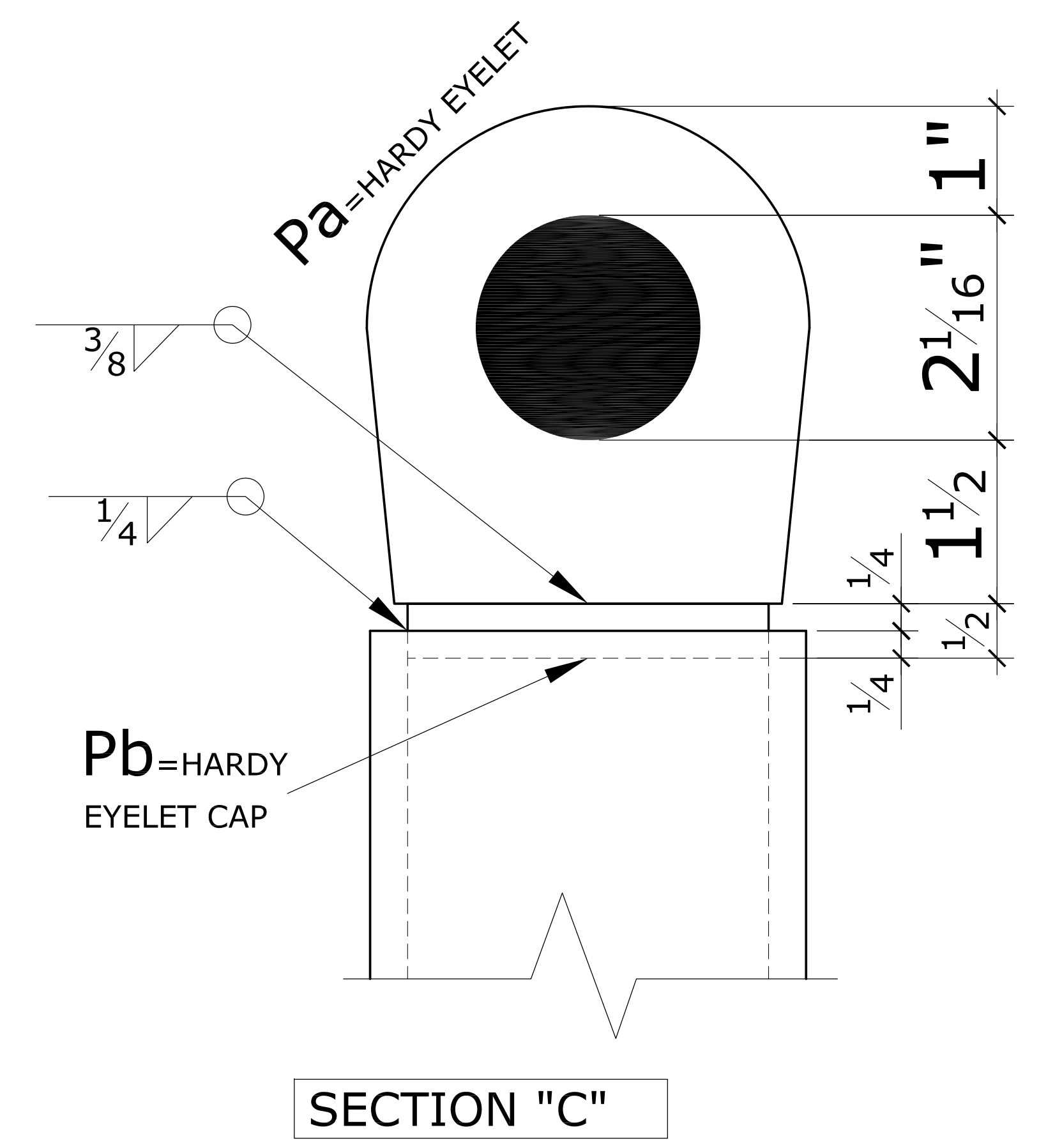
BILL OF MATERIAL						
NO. OF PIECES	SHIP MARK	PIECE MARK	DESCRIPTION	LENGTH		REMARKS
				FEET	INCH	
			HTB-32	3	10 ⁹ / ₁₆	
1	MA		5"O.D.x .375	2	7 ³ / ₄	A500 B
1	Pa		1x4 ¹ / ₁₆ x4 ⁹ / ₁₆			EYELET
1	Pb		1/2 x4 ⁵ / ₁₆ Ø			5"CAP
1	Pc		3/4 x 18 ¹ / ₂	1	6 ¹ / ₂	BASE PLATE
2	Pd		1/4 x 9 ¹ / ₄	2	4	BENT



"MB" HARDY HTB SKIRT



HARDY HTB-32



SECTION "C"

L.A.CITY FAB LIC. #975

PAINT:	HOLES U.N.	WELD U.N.	APPL:	SHOP:
PROJECT:	HARDY HTB-32			DATE: 5-5-20
CUSTOMER:				DRAWN BY:
ARCH:	ENG.			CHK'D BY:
DESCRIPTION:				JOB NO:
				SHT. NO: